

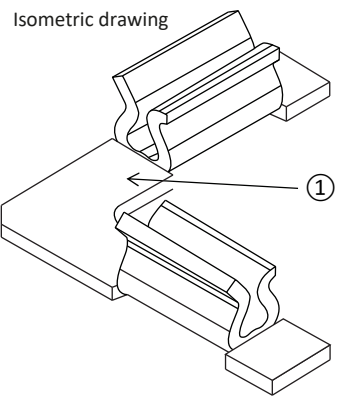
TECHNICAL DRAWING UTCC



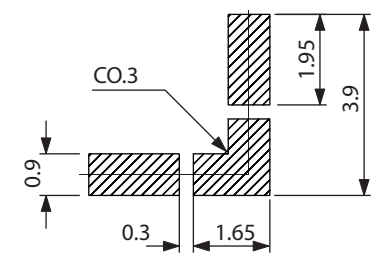
Drawing Number: 14462

All dimensions in mm

Need to scale

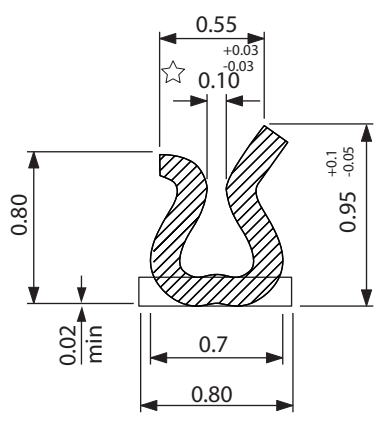
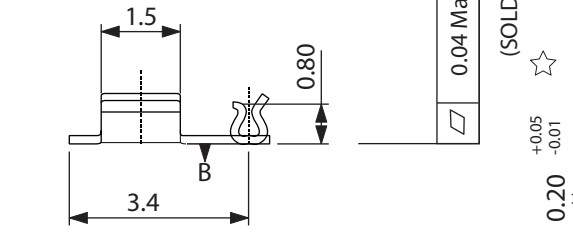
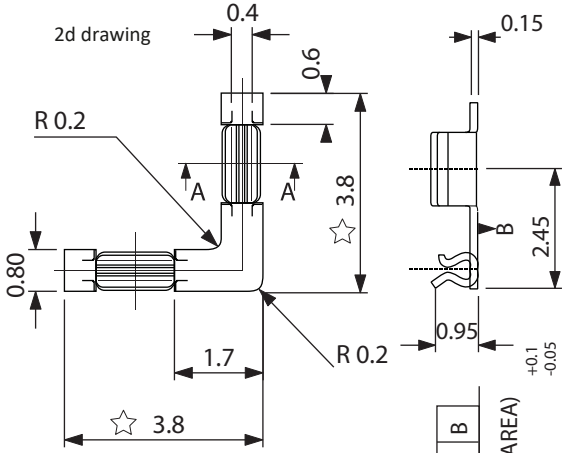


Isometric drawing

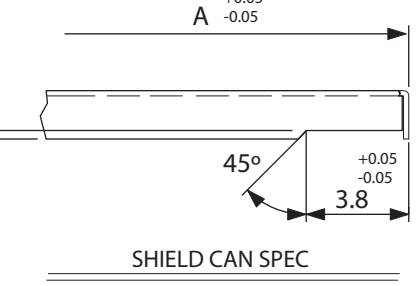


Recommended solder land size

- Note
- Material : Stainless steel SUS301-1/2H
 - Finish : Nickel (Ni) plated and afterwards matte tin (Sn) plated
 - Mechanical characteristics :
 - Insertion force : 0.1~2.0 kgf
 - Withdrawal force : 0.1~2.0 kgf
 - Durability : 10 Insertions Minimum.
 - Contact resistance : 100mΩ Max.
 - Shield thickness : 0.15mm ~ 0.20mm
 - Environmental characteristics :
 - Operating temperature range : -25°C TO +150°C
 - Storage temperature range : -40°C TO +85°C
 - Salt spray test : None corrosion5. Meet Eu-RoHS
- This specification will be changed without previous notice)

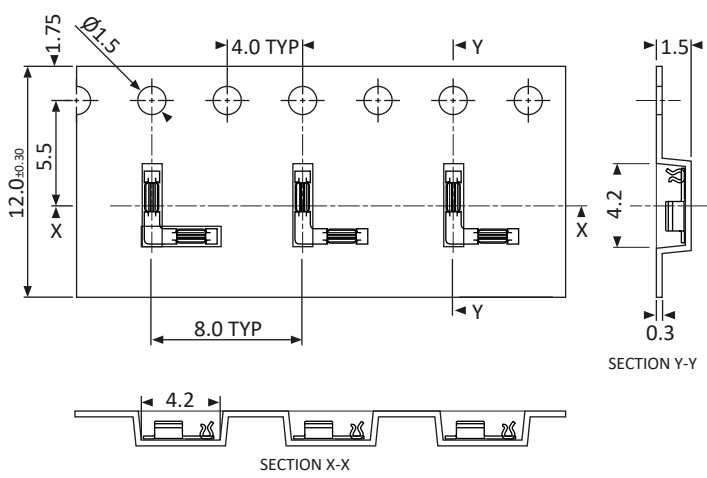


SELECTION A-A'

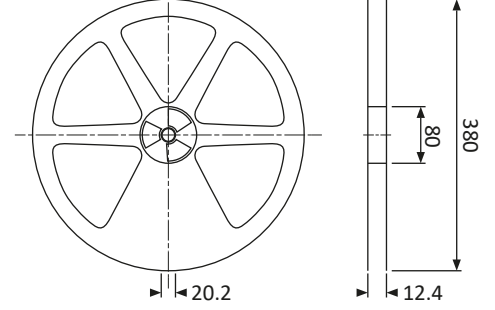


SHIELD CAN SPEC

Plastic Carrier specification (Antistatic material)



Plastic reel drawing

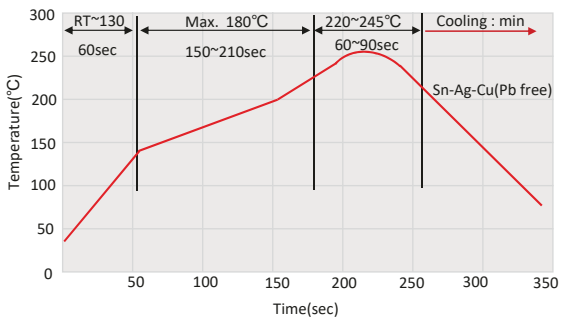


(Quantity per reel : 6.000)

Characteristics of each material

No.	Material Name	Specification	Material
1	Stainless steel	Thickness : 0.15 ± 0.01	SUS 301-1/2H

Reflow soldering condition



Jacobus IJpsweg 124
3316BP Dordrecht
the Netherlands

E-mail: info@hollandshielding.com
Phone: +31 (0)78 - 613 13 66
Fax: +31 (0)78 - 614 95 85

Title:	Drawing Ultra Tiny Corner clip
Drawing:	Ultra Tiny Corner clip
Number:	14462
Date:	12-05-2014
Drawing by:	Christian van Vugt
Finish:	Tin over nickel
Dimension classification:	★Critical ▼Major () Reference
Tolerance	.X ±0.25 .XX ±0.10